

Acu-CabTM

TENTS • AWNINGS • CAMPERS • CANOPIES • ACCESSORIES



Alu-CabTM

Alu-Cab is a leading manufacturer of high-quality and innovative camping and overlanding equipment, based in South Africa. We specialize in the production of aluminium canopies, rooftop tent, campers and various other camping accessories for a variety of popular vehicle models.

Alu-Cab has gained a reputation for producing some of the most robust and durable camping gear on the market, using only the highest quality materials and innovative design techniques. Our products are designed to withstand the harshest of environments and offer the user the ultimate in comfort and convenience, whether they are out on a weekend camping trip or a multi-week overland adventure.

With a strong focus on customer service and a dedication to product excellence, Alu-Cab has established itself as a leader in the camping and overlanding industry. Our products are trusted by adventurers and outdoor enthusiasts around the world, and we continue to push the boundaries of what is possible in terms of camping and overlanding equipment.





TABLE OF CONTENTS

Canopies	4
Rooftop Tents	12
Awnings	19
Jimny Accessories	24
Roof Conversions	26
Vehicle Campers	31
Shower Cube	41
Universal Accessories	42



ALU-CAB CANOPIES



EXPLORER CANOPY

Available for Double Cab, Extra Cab & Single Cab *(selected vehicle models)*

- Aluminium construction, superior strength to weight ratio
- Centre flex waterproof hinges to prevent rain dripping in when doors are opened
- Full width rear door and full length side gullwing doors for full access into canopy
- Keyed alike and tamper proof locks
- Integrated roof rails for easy installation of roof rack or cross bars
- Roof load rated to carry 150kg

TECHNICAL SPECS

WEIGHT:

Double Cab: 60kg approx

Extra Cab: 70kg approx

COLOUR:

Black in a Tread or Smooth finish



CONTOUR CANOPY

Available for Double Cab, Extra Cab (selected vehicle models)

- Aluminium construction, superior strength to weight ratio
- Integrated brake light
- 3 Internal LED Lights
- Front & Side windows come standard with sliders for better ventilation
- Centre flex waterproof hinges to prevent rain dripping in when doors are opened
- Full width rear door and full length side gullwing doors for full access into canopy
- Keyed alike and tamper proof locks
- Integrated roof rails for easy installation of roof rack or cross bars
- Roof load rated to carry 150kg

TECHNICAL SPECS

WEIGHT:

With Side Windows: 62kg approx

Without Side Windows: 57kg approx

COLOUR:

Black

EXPLORER & CONTOUR CANOPY ACCESSORIES



EXPLORER CANOPY CUPBOARDS

- Lightweight, strong, aluminium and 304 food grade stainless steel construction
- Maximises space utilisation
- Access a useful amount of storage space without having to reach inside the canopy load bin

TECHNICAL SPECS

Available in 2 sizes

750mm: C-A-CB560-B

SIZE: 750mm L x 440mm W x 275mm H

WEIGHT: 6kg approx

1250mm: C-A-CB1250-B

SIZE: 1250mm L x 440mm W x 275mm H

WEIGHT: 7kg approx

*Canopy Cupboards do not fit the Mitsubishi Triton

*750mm Land Cruiser Cupboards do not fit
Contour Canopy



CUPBOARD - RECOVERY KITTING

- Lightweight, strong, aluminium and 304 food grade stainless steel construction
- Cupboard backing features a grid design allowing you to secure essential gear in place
- Features cargo rail extrusions providing various tie down points with the use of M8 eye nuts and straps

TECHNICAL SPECS

SIZE: 750mm L x 440mm W x 275mm H

WEIGHT: 16kg approx

C-A-RKIT



CUPBOARDS - KITCHEN KITTING

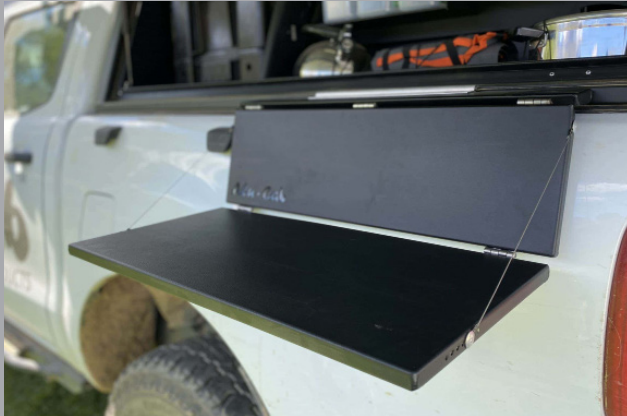
- Lightweight, strong, aluminium and 304 food grade stainless steel construction
- Geared with the essentials to serve four people

TECHNICAL SPECS

SIZE: 750mm L x 440mm W x 275mm H

WEIGHT: 15kg approx

C-A-KKIT



SIDE SLIDE PREP TABLE

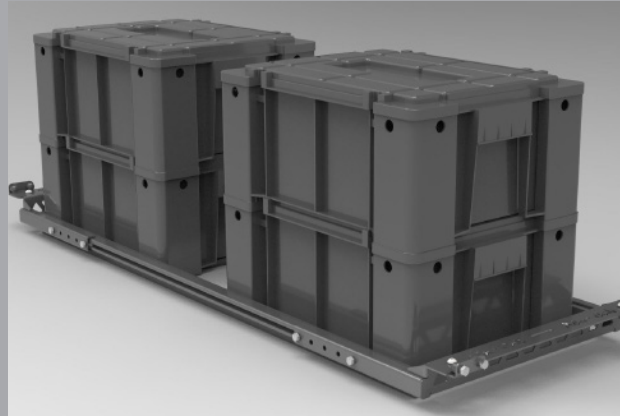
- The table quickly attaches to the side of your canopy to give you a handy work surface
- Packs flat and is easily stowed in it's supplied bracket

TECHNICAL SPECS

DIMENSIONS CLOSED: 600mm L X 300mm W X 40mm H

WORKING SPACE: 600 mm L x 300mm W

C-A-SSP-TBL



AMMO BOX SLIDE

- Great packing solution that positions at the front end of the canopy, sitting just behind the driver's cab
- Takes up to 2 boxes across the base and 2 stacked on top of one another therefore 4 in total
- Constructed entirely from 6061 Grade Aluminium (apart from the mounting hardware)
- The mounting kit is made from 304 Stainless Steel
- The slide is fitted to the Alu-Cab Canopy, via standard nut slots

TECHNICAL SPECS

SIZE: 1420mm L (adjustable to your canopy width) X

492mm H X 97mm W

WEIGHT: 6kg approx

C-A-AMO-SLIDE



CANOPY TABLE BRACKETS

- Maximises space utilisation
- Mounting to the underside of the canopy roof, allowing you to store the Alu-Table out of the way

C-A-TBL-BKT



CHAIR CARRIER

- Quick and easily accessible way for you to store your chairs
- **2 Chair Carrier** or **4 Chair Carrier** available
- Designed for Frunt Runner chairs

4 Chair Carrier: C-A-DC

2 Chair Carrier: C-A-SC



EXPLORER SECURITY WINDOW GRID

- Designed for the **Explorer Canopy**
- Acts as a protective safety barrier
- Heavy duty steel grid and alloy brackets powder-coated black
- Secures to the interior window

TECHNICAL SPECS

SIZE: 1045mm L X 366mm H X 8mm Depth/Thickness

WEIGHT: 2.5kg approx

Does not fit the following vehicle models:

- Jeep Gladiator
- Mitsubishi Triton (L200)
- Toyota Landcruiser

C-A-WG



CONTOUR SECURITY WINDOW GRID

- Designed for the **Contour Canopy**
- Acts as a protective safety barrier
- Secures to the interior window
- Built from powder coated 2mm Aluminium
- As this is an all-in-one bent up, profiled sheet no brackets are needed

TECHNICAL SPECS

SIZE: 1115mm L X 325mm H

WEIGHT: 1kg approx

Does not fit the following vehicle models:

- Jeep Gladiator
- Toyota Landcruiser

C2-A-WG



CONTOUR CANOPY KITCHEN KIT

- The kit contains all the essentials required while on the go, including cookware, utensils, a spice rack and pre-installed cutting board
- Fits seamlessly into the canopy
- Also features a useful top tray

NOT SUITABLE FOR THE FOLLOWING VEHICLE MODELS:

Mitsubishi Triton
Jeep Gladiator
Chevy Colorado
Land Cruiser 79 DC
Land Cruiser 79 SC

C2-A-KKIT



CONTOUR CANOPY KITCHEN TABLE

- Adjustable fold-out table with stainless steel food-safe preparation surface and integrated bamboo cutting board
- Sold separately accommodating fitment to all existing cupboards

C-A-FO-TBL



MOLLE PLATE FOR 1250MM CUPBOARD

- Fits into existing 1250mm cupboard.
- Allows for the customization of the ultimate kitchen on-the-go

NOT SUITABLE FOR THE FOLLOWING VEHICLE MODELS:

- Mitsubishi Triton
- Jeep Gladiator
- Chevy Colorado
- Land Cruiser 79 DC
- Land Cruiser 79 SC

C-A-MP-560CB



MOLLE PLATE FOR 560MM CUPBOARD

- Fits into existing 560mm cupboard.
- Allows for the customization of the ultimate kitchen on-the-go

NOT SUITABLE FOR THE FOLLOWING VEHICLE MODELS:

- Mitsubishi Triton
- Jeep Gladiator
- Chevy Colorado
- Land Cruiser 79 DC
- Land Cruiser 79 SC

C-A-MP-1250CB

ROOFTOP TENTS





GEN 3-R

- Designed for single person set up, opening and closing in seconds
- Heater vent and solar panel input as standard features
- Zippable rear awning that can zip up and stay rolled away
- Manufactured for dual layer 400gsm UV resistant rip stop canvas with sealed seams
- Internal LED lights, USB ports and 12V sockets
- 3 zippered access points feature midge proof screens
- Extended cargo rails creating more room and additional options for fitment to the roof
- Roof load rated to carry 50kg
- Quick release comfort telescopic ladder stows inside tent

TECHNICAL SPECS

LENGTH: External 2 300mm / internal 2 100mm

WIDTH: External 1 400mm / internal 1 300mm (@ shoulders)

HEIGHT (exterior, closed): Front 210mm / Rear 280mm

HEIGHT (exterior, open): 2 000mm

HEIGHT (interior, open): 1 600mm

Weight: 76g approx

RT-R-B

GEN 3-R ACCESSORIES



BACK REST

- Designed with multiple angles available, making relaxing in your tent effortless!
- Can be retrofitted to the Gen 3.1

TECHNICAL SPECS

SIZE: 1385 mm L x 565.14 mm H

WEIGHT: 5.25kg

RT-A-BR



DROP DOWN TABLE

- Simply undo the straps to your desired height, sit back and relax. Effortless!
- Enjoy that morning coffee, read a book, watch Netflix while taking in your beautiful surroundings
- Can be retrofitted to the Gen 3.1

TECHNICAL SPECS

SIZE: 1385 mm L x 565.14 mm H !!

WEIGHT: 2kg approx

RT-A-TBL



LT-50

- Lightweight tent
- Features a nut slot lid and base frame for easy mounting of accessories such as awnings, shower cubes, ladder brackets, spades
- Dual layer 280gsm UV resistant rip stop canvas
- The rooftop tent is made from a lightweight aluminium construction
- 3-point access with a door/window on each side
- Top and bottom foam insulation
- Roof load rated to carry 30kg
- 60 mm high-density foam mattress with zip-off cover

TECHNICAL SPECS

TENT WEIGHT [excludes mattress, excludes ladder]: 46kg

MATTRESS WEIGHT: 4.55kg

MATTRESS THICKNESS: 60mm

MATTRESS DIMENSIONS: 1085mm x 2070mm

TENT DIMENSIONS: 1261mm x 2258mm x 172mm

RT-L-B

LT-50 ACCESSORIES



TELESCOPIC LADDER

- 2.0m & 2.6m ladder available for LT-50
- Features non-slip feet and rungs to provide added stability and safety
- Compact size for easy storage and transportation

TECHNICAL SPECS

LENGTH: 2.0m
WEIGHT: 6.9kg [Includes ladder bag]
WEIGHT WITHOUT BAG: 6.5kg



LADDER STORAGE BRACKET

- Allows you to safely store your telescopic ladder on the roof of your LT-50 molle panel
- The bracket is universal and can accommodate either the larger 2.6m or 2.0m telescopic ladder

TECHNICAL SPECS

SIZE: 520mm x 160mm x 115mm
WEIGHT: 2.5kg

A-LAD-HOLD



LADDER EXTENSION BRACKET

- Allows you to mount the telescopic ladder to the LT-50 on larger or wider vehicles

TECHNICAL SPECS

SIZE: 230mm x 140mm x 40mm
WEIGHT: 1.2kg

LW-A-LAD-EXT



FLY SHEET / RAIN COVER

- Designed for the main entrance of your tent
- Creates a cover to provide an extra layer of protection against the elements
- Made from a lightweight, waterproof material
- Easily attached and detached from the tent via velcro
- Can be stored in a small bag when not in use

LW-A-RC



ROOF MOLLE PLATE

- Modular mounting system designed to attach various equipment and accessories to the exterior of the LT-50
- Allows you to carry a weight of 50kg (without opening the tent) and open with a weight of 18kg
- Made of lightweight and durable aluminum, and it features a grid of evenly spaced holes along its surface
- Allows you to optimize your gear storage and organization

TECHNICAL SPECS

SIZE: 951.50mm x 1226mm

WEIGHT: 6kg

LW-A-MP



WALL MOUNT

- Allows you to store your tent in an upright or horizontal position in your garage when you don't plan on using it
- The brackets can take a combined weight of 100 kg's.

TECHNICAL SPECS

WEIGHT: 2.5kg

LW-WM



ROOF TABLE SLIDE **(Table Sold Separately)**

- Tucks away seamlessly underneath the vehicle's LT-50 tent
- Secure mechanism with a smart pin to ensure that your table stays in place

LW-A-TS



STORAGE BAGS **(Coming Soon)**

- Featuring velcro back straps, it securely attaches to the side strips on your LT-50
- Folds flat when the tent is closed



ALU-CAB AWNINGS



270° SHADOW AWNING

- Free standing awning, designed for single person set-up
- Lightweight aluminium construction
- Manufactured from 315gsm heat reflective canvas
- Integrated drop down leg, guy ropes and pegs for windy conditions
- Awning stowes in heavy duty zippered PVC bag

TECHNICAL SPECS

SIZE: 2600m L x 135m W x 220mm H

WEIGHT: 24kg

SHADE: 10m² when open

ORIENTATION: Left or right hand side fitment available

MOUNTING BRACKETS: Various options available

AWN-LHS

AWN-RHS



180° AWNING

- Free standing awning, designed for single person set-up
- Lightweight aluminium construction
- Manufactured from 315gsm heat reflective canvas
- Integrated drop down leg, guy ropes and pegs for windy conditions
- Awning stowes in heavy duty zippered PVC bag

TECHNICAL SPECS

LENGTH (when closed): +-2600mm

WEIGHT: 24kg

SHADE AREA: 7.7m²

FITMENT BRACKETS: Various options available

ORIENTATION: LHS and RHS

AWN-LHS-180

AWN-RHS-180



2M 270° AWNING

- Free standing awning, designed for single person set-up
 - Lightweight aluminium construction
 - Manufactured from 315gsm heat reflective canvas
- Integrated drop down leg, guy ropes and pegs for windy conditions
 - Awning stowes in heavy duty zippered PVC bag

TECHNICAL SPECS

LENGTH (when closed): 2m

WEIGHT: 18.5kg

SHADE AREA: 6.1 m²

CONSTRUCTION: Aluminium

FITMENT BRACKETS: Various options available

ORIENTATION: LHS and RHS

AWN-LHS-2M

AWN-RHS-2M

AWNING ACCESSORIES



SIDE WALL KIT (2.6m 270 ° Shadow Awning Only)

- Provides complete privacy and protection from elements
- Features 3 windows and main entrance door
- Manufacture from 190gsm ripstop canvas
- Attaches via heavy duty velcro
- Includes 2 additional support poles for integration

TECHNICAL SPECS

BAG SIZE: 600mm L x 300mm W x 300mm H

WEIGHT: 15.2kg approx

MOUNT HEIGHT: 1900mm - 2100mm

AWN-RHS-SIDE



GUTTER KIT (2.6m 270 ° Shadow Awning Only)

- Providing further protection from the elements, closing the gap between the rear of the vehicle and awning
- Attaches via supplied sail track and heavy duty velcro
- To suit Gen 3-R, Canopy Camper, Roof Conversions and Canopy models

AWN-A-GUTTER



STORM KIT

- Provides additional anchorage in strong winds and stormy conditions
- Prevents rain water pooling on awning canvas
- Quick and simple setup

TECHNICAL SPECS

BAG SIZE: 340mm L x 50mm W x 185mm H

AWN-STRM

GEN 4 JIMNY ACCESSORIES



EXTERNAL MOLLE PLATE

- Securely attach your off-road essentials – recovery equipment, jerry cans, mini max-trax and more
- Can be paired with our Jimny Jerry Can Mount Kit
- Lightweight, strong, aluminium construction

TECHNICAL SPECS

SIZE: 650 x 545.34mm
WEIGHT: 3 kg's each
WEIGHT CAPACITY: 25 kg's

JIM-A-MP-EX



INTERNAL MOLLE PLATE

- Lightweight, strong, aluminium construction
- Provides a seamless platform to attach a wide range of gear
- Anti-theft

TECHNICAL SPECS

WEIGHT: 1.7 kg's each
WEIGHT CAPACITY: 25 kg's

JIM-A-MP-IN-LHS
JIM-A-MP-IN-RHS



JERRY CAN MOUNT KIT

- Perfect solution for all your fuel and water storage needs
- The Jerry Can Mount Kit can accommodate:
2 x 5L Pioneer containers OR
1 x 10L Pioneer container
- The Jerry Can Mount Kit is **load rated for 7.5kg's** per mount

JIM-A-JCH-MNT



BONNET LIGHT BRACKETS (Lights Sold Separately)

- Designed to accommodate auxiliary lights on your Jimny's bonnet.
- Lightweight, strong, aluminium construction
- Hassle-free installation process. Brackets fit into existing holes in the bonnet.

TECHNICAL SPECS

WEIGHT: 0.6 Kg's for both brackets

SIZE: 110mm x 60mm x 35mm

JIM-A-BON-LGHT-BKT



REAR DROP DOWN TABLE

- Provides an instant and sturdy platform for various activities
- Includes cutting board
- Generouse surface area

TECHNICAL SPECS

WEIGHT: 8.5 kg's for table and backing plate (kit)

WEIGHT CAPACITY: 12 kg's on working surface
4 kg's on cutting board

JIM-RD-DD-TBL



IN-CABIN CARGO RACK

- Lightweight, strong, aluminium construction
- Maximize every inch of your cabin with extra storage space
- The Molle panel design also allows for additional gear to be secured on the underside of the rack
- Fastens into existing mounting points inside the cabin

TECHNICAL SPECS

SIZE: 1000 x 400 x 90 mm

WEIGHT: 4 kg's

WEIGHT CAPACITY: 15 kg's

JIM-A-ICCR

ROOF CONVERSIONS





HERCULES CONVERSION

To suit Toyota Landcruiser 75 & 78 Series

- Aerodynamic aluminium construction, designed for single person set-up, opening and closing in seconds
- Manufactured from dual layer 400gram UV resistant ripstop canvas with sealed seams
- Internal LED lights
- Bedding can remain in place when tent roof is closed, or when bed is flipped up for ample internal living space
- Integrated roof cargo tracks allow for small roof rack or load bars
- Roof load rated to carry 50kg

TECHNICAL SPECS

CLOSED DIMENSIONS: 2835mm L x 1420mm W x 225mm H

ADDED HEIGHT: 140mm

BED SIZE: 2400mm L x 1160mm W x 70mm H

WEIGHT: 116kg + effective weight

COLOURS: Black, white or beige

RC-TYLC-B
RC-TYLC-W
RC-TYLC-BE



ICARUS CONVERSION

To suit Land Rover Defender 110

- Aerodynamic aluminium construction, designed for single person set-up, opening and closing in seconds
- Manufactured from dual layer 400gram UV resistant ripstop canvas with sealed seams
- Internal LED lights
- Bedding can remain in place when tent roof is closed, or when bed is flipped up for ample internal living space
- Integrated roof cargo tracks allow for small roof rack of load bars
- Roof load rated to carry 50kg

TECHNICAL SPECS

CLOSED DIMENSIONS: 2815mm L x 1470mm W x 390mm H

ADDED HEIGHT: 180mm

BED SIZE: 2370mm L x 1250mm W x 70m H

WEIGHT: 125kg + effective weight

COLOURS: Black or white

RC-LRDF-B

RC-LRDF-W



THOR CONVERSION

To suit Toyota Landcruiser 76 Series

- Aerodynamic aluminium construction, designed for single person set-up, opening and closing in seconds
- Manufactured from dual layer 400gram UV resistant rib-lock dual-layer waterproof canvas
- Roller forming for added rigidity and strength
- Double slot extrusions, allowing for no drill fitment of accessories
- Roof molle plates for additional space for accessories
- Hi-level break light included in the roof conversion
- Bedding can remain in place when tent roof is closed, or when bed is flipped up for ample internal living space
- Integrated roof cargo tracks allow for small roof rack of load bars
- Roof load rated to carry 50kg

TECHNICAL SPECS

CLOSED DIMENSIONS: 2570mm L x 1396mm W x 370mm H

ADDED HEIGHT: 270mm

BED SIZE: 2220mm L x 1140mm W

WEIGHT: 130kg + effective weight

COLOURS: Black

RC-LC76-B

ROOF CONVERSIONS ACCESSORIES



MIRROR EXTENSIONS

- Assist to provide enhanced safety while driving by extending your vision
- Available for the **LC 76** and **LC 78** models

A-MIR-EXT



REAR DOOR MOLLE FOR LC 76 & 78 SERIES

- The perfect solution for the mounting of additional gear such as medical kits, recovery gear, axes or kitchen utensils
- Units available:

Small & large plates specifically designed for the Land Cruiser 76 Series (**RC-A-MP76**)

Small & large plates specifically designed for the Land Cruiser 78 Series (**RC-A-MP78**)



SIDE WINDOW BOXES FOR LC 76 SERIES

- Provides valuable extra packing space
- Can be fitted on the left or right side of vehicle
- The boxes are ordered empty with the option of adding the following accessories:

- Side Box Kitchen Kit (**RC-A-LC76-KKIT**)
- Recovery Molle Plate (**RC-A-LC76-RKIT**)

TECHNICAL SPECS

SIZE: 1171.9mm L x 535.6mm W x 331.9mm H

WEIGHT: 13.9kg

RC-A-LC76-SB-L

RC-A-LC76-SB-R



ALU-CAB CAMPERS



CANOPY CAMPER

- Easy access vertical rear door with heavy duty hinges allows fitment of 33" spare wheel
- Bedding can remain in place when tent roof is closed, or when bed is flipped up for ample internal living space
- Oversized gullwing canopy doors allow unobstructed access
- Manufactured from dual layer 400gsm UV resistant ripstop canvas with sealed seams
- Available in the **BASIC** or **DELUXE** model

DELUXE MODEL INCLUDES:

- A shoe bag fitted on the roof
- One light on the roof
- One light under the bed
- Three lights at the doors
- Two stalk lights
- USB port in the bed section
- Wiring for solar panel (excludes the solar panel)
- Canvas Mesh bags @ rear panels
- Canvas bags at the rear door
- Set of 2 Molle Plates.
- Shadow Awning and Awning deflector (fitted)

BASIC MODEL INCLUDES:

- A shoe bag fitted on the roof
- One light on the roof
- One light under the bed
- Three lights at the doors
- Two stalk lights
- USB port in the bed section
- Wiring for solar panel (excludes the solar panel)

AVAILABLE FOR:

DOUBLE CAB

- To suit Ford Ranger (2012 - 2021)
- To suit Ford Ranger (2022+)
- To suit Isuzu Dmax (2012 – 2019)
- To suit Isuzu Dmax (2020 – Present)
- To suit Mercedes Benz X-Class (2017 – Present)
- To suit Nissan Navara NP300 Europe (2016 – 2020)
- To suit Nissan Navara NP300 ZA/AUS (2016 – 2020)
- To suit Toyota Hilux (2005 – 2015) (Vigo)
- To suit Toyota Hilux (2015 – Present) (Revo)
- To suit VW Amarok (2010 - 2022)
- To suit VW Amarok (2023+)
- To suit Toyota Land Cruiser 79 OEM Double Cab
- To suit Jeep Gladiator (2019 – Present)

EXTRA CAB

- To suit Ford Ranger (2012 – Present)
- To suit Toyota Hilux (2005 – 2015) (Vigo)
- To suit Toyota Hilux (2015 – Present) (Revo)
- To suit Isuzu Dmax (2020 – Present)

LONG BED or SHORT BED

- To suit Chevrolet Colorado US (2015 – Present) DC
- To suit Toyota Tacoma (2005 – 2015) (Gen2) SB + LB
- To suit Toyota Tacoma (2016 – Present) (Gen3) SB + LB
- To suit Ford Ranger USA (2019+) SB + LB
- To suit Nissan Frontier (2022+) DC

SINGLE CAB

- To Suit Toyota Land Cruiser 79 SC

CANOPY CAMPER

ACCESSORIES



CANOPY CAMPER MIDGE NET (Rear Door & Side Doors - Sold Separately)

- Available for the Canopy Camper side doors and rear door
- Keeps bugs and insects out of your vehicle while allowing fresh air inside
- It is attached to the interior of the side doors & rear door with self-adhesive velcro
- Designed with a heavy-duty canvas cover, which can be rolled up, exposing the netting material only
- Side door midge nets have a rectangular cut-out flap at the top of canvas, which allows access to the swivel light

TECHNICAL SPECS

SIZE (Rear Door): 1170mm L x 980mm W

SIZE (Side Doors): 1420mm L x 600mm H

CC-A-MN

CC-A-MN-SRK



WATER TANK & CANVAS BAGS

WATER TANK:

- 50l water tank, designed to mount internally, up front, in Canopy Camper units
- Made from LLDPE (Linear Low Density Polyethylene)
- Tank has a clearly marked maximum water level indicator

CANVAS BAGS:

- Features 4 mesh pockets and 3 larger zip sealed canvas bags

TECHNICAL SPECS

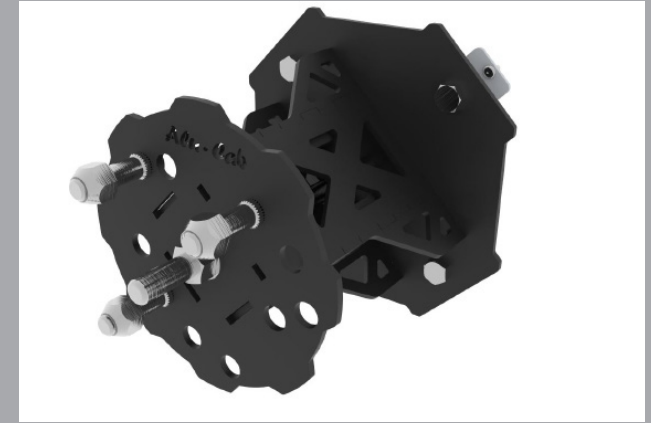
Water Tank Size: 1468mm L x 105mm W x 520mm H

Water Tank (Empty): 9.50kg

Water Tank (Full): 59.50kg

CC-A-WT-KIT

CC-A-WT-CB-KIT



SPARE WHEEL BRACKET

- Has a multi stud universal PCD layout to fit all OEM wheel holes
- Features an adjustable section that can fit various wheel offsets and gives you the ability to tighten the wheel against the wheel carrier
- This clamping feature allows the wheel to be securely held in place and removes any vibrations

TECHNICAL SPECS

WEIGHT: 8.8kg

CC-A-SWB



CANOPY CAMPER TABLE SLIDE

- The perfect place to store your Alu-Table out of the way in unutilised space
- The Table slide is suitable to certain vehicles for the Canopy Camper

CC-A-TS



CANOPY CAMPER SIDE DOOR GRID

- Designed to fit on the inside of the Canopy Camper side doors
- This easy install will allow you to mount your selected overland gear to the grid inside the cupboard making your gear easily accessible
- Supplied with two additional gas struts which will replace the Canopy Camper Side door standard gas struts

TECHNICAL SPECS

SIZE: 1158mm L x 495.5mm W

WEIGHT: 4kg

CC-A-SID-GRID



FIREPLACE MOLLE PLATE

MOLLE PLATE: CC-A-MP

- Accessory mounting plate that can be added to the rear of your canopy camper
- Creates additional space for your gear to be stored safely and securely
- It can be used to mount a gas bottle, our infamous can crusher or a jerry can holder

FIREPLACE MOLLE PLATE: CC-A-MP-FP

- Designed around the Dickinson P9000 Heater
- The plate has been modified from our standard Canopy Camper molle plates to allow space for the dickinson chimney
- Allows mounting additional gear to your



ALU-CABIN | FULL-SIZE CANOPY CAMPER

ALU-CABIN | FULL-SIZE CANOPY CAMPER

To suit full-size 5.5 & 6.5 vehicle models

- Easy access vertical rear door with heavy duty hinges allows fitment of 33" spare wheel
- Bedding can remain in place when tent roof is closed, or when bed is flipped up for ample internal living space
- Oversized gullwing canopy doors allow unobstructed access
- Manufactured from dual layer 400gsm UV resistant ripstop canvas with sealed seams
- Available in the **BASIC** or **DELUXE** model

DELUXE MODEL INCLUDES:

A shoe bag fitted on the roof
One light on the roof
One light under the bed
Three lights at the doors
Two stalk lights
USB port in the bed section
Wiring for solar panel (excludes the solar panel)
Canvas Mesh bags @ rear panels
Canvas bags at the rear door
Set of 2 Molle Plates.
Shadow Awning and Awning deflector (fitted)

BASIC MODEL INCLUDES:

A shoe bag fitted on the roof
One light on the roof
One light under the bed
Three lights at the doors
Two stalk lights
USB port in the bed section
Wiring for solar panel (excludes the solar panel)

AVAILABLE FOR:

To suit RAM 1500	5.5 & 6.5	(2007 – Present)
To suit RAM 2500+3500	5.5 & 6.5	(2010 – 2022)
To suit Tundra	5.5 & 6.5	(2007 – 2021)
To suit Tundra	5.5 & 6.5	(2022 – Present)
To suit GMC Sierra	5.5 & 6.5	(2007 – 2018)
To suit GMC Sierra	5.5 & 6.5	(2019 – Present)
To Suit Chevrolet Silverado 1500	5.5 & 6.5	(2007 – 2018)
To Suit Chevrolet Silverado 1500	5.5 & 6.5	(2019 – Present)
To Suit Ford F-150	5.5 & 6.5	(2015 – Present)
To Suit Ford F-250	5.5 & 6.5	(2017 – 2023)



ALU-CABIN ACCESSORIES



WATER TANK & CANVAS BAGS (Sold Separately)

WATER TANK:

- 50l water tank, designed to mount internally, up front, in Alu-Cabin units
- Made from LLDPE (Linear Low Density Polyethylene)
- Tank has as a clearly marked maximum water level indicator

CC-A-WT-FS-KIT

CANVAS BAGS:

- Features 4 mesh pockets and 3 larger zip sealed canvas bags

CC-A-WT-CB-KIT

TECHNICAL SPECS

Water Tank Size: 1468mm L x 105mm W x 520mm H

Water Tank (Empty): 9.5kg

Water Tank (Full): 59.5kg



ALU-CABIN MIDGE NET (Sold Separately)

- Available for the Alu-Cabin side doors and rear door
- Keeps bugs and insects out of your vehicle while allowing fresh air inside
- It is attached to the interior of the side doors & rear door with self-adhesive velcro
- Designed with a heavy-duty canvas cover, which can be rolled up, exposing the netting material only
- Side door midge nets have a rectangular cut-out flap at the top of canvas, which allows access to the swivel light

TECHNICAL SPECS

SIZE (Rear Door): 1255mm L x 980mm W

SIZE (Side Window - Large): 700mm H x 1040mm W

SIZE (Side Window - Small): 700mm H x 840mm W

CC-FS-MN-SK-LG

CC-FS-MN-SK-SM



KHAYA CAMPER

- These drive-off units are designed to maintain your vehicle's versatility, without compromising on comfort and functionality
- Roof load rated to carry 50kg
- Available in the **BASIC, 2-SLEEPER & 4-SLEEPER** models

Will suit most mid-sized DC (Shortbed) and XC (Long bed) pick-ups.

TECHNICAL SPECS

KHAYA BASIC: KH-BASIC-B
Length (overall): 2800mm
Height (overall roof closed): 1450mm
Width (overall): 1850mm
Height (overall, roof opened): 3100mm

KHAYA 2-SLEEPER/COMFORT: KH-COMFORT-B
Main bed section: 1925mm x 1225mm
Rear bed section: 1225mm x 580mm x 1340mm
Length (overall): 2859mm
Height (overall roof closed): 1483mm
Width (overall): 1850mm
Height (overall, roof opened): 2800mm

KHAYA 4-SLEEPER/FAMILY: KH-FAMILY-B
Main bed section: 2075mm x 1225mm
Rear bed section: 1225mm x 430mm x 1340mm
Length (overall): 2859mm
Height (overall roof closed): 1483mm
Width (overall): 1850mm
Height (overall, roof opened): 2800mm



UNIT FEATURES MAY DIFFER BASED ON COUNTRY

KHAYA BASIC

Sleeps 2

- No Internals
- Basic unit which is carpeted
- Wiring for lights with lights included
- Wiring for solar preparation
- Canvas bags on rear door
- Relevant mounting kit
- Mattress and Tent

KHAYA 2-SLEEPER/COMFORT

Sleeps 2

- Interior pack for 2 sleeper
- 270° Shadow Awning
- Alu-Cab Gutter kit
- Storm Tie Down Kit
- Alu-Cab Shower Cube
- Duck Board
- Side Prep Table
- Alu-Table
- Uni Gas Bottle Holder (Cupboard)
- Load Bars
- Air Heater
- Water Heater
- Dometic Unit
- Electrical:**
- Electrical 220v charger
- DC/DC charger
- Extension lead
- 7 LED dual colour lights and wiring loom [excludes battery]

KHAYA 4-SLEEPER/FAMILY

Sleeps 4

- Interior pack for 4 sleeper
- 270° Shadow Awning
- Alu-Cab Gutter kit
- Storm Tie Down Kit
- Alu-Cab Shower Cube
- Duck Board
- Side Prep Table
- Alu-Table
- Uni Gas Bottle Holder (Cupboard)
- Load Bars
- Air Heater
- Water Heater
- Electrical:**
- Electrical 220v charger
- DC/DC charger
- Extension lead
- 7 LED dual colour lights and wiring loom [excludes battery]

KHAYA CAMPER

ACCESSORIES



PNEUMATIC AIR ASSIST

- Has been designed to assist with the opening of the Khaya roof, even with an added packing load of 40kg
- This is a two-part product consisting of the Air Assist Kit (compressor box) and then the components specific to the Khaya Camper itself
- Supplied with two pneumatic cylinders

TECHNICAL SPECS

Box 1 (compressor box): A-COMP-UNIT

LENGTH: 475mm

WIDTH: 180mm

HEIGHT: 185mm

Box 2 (two pneumatic cylinders): KH-AIR-ASS-KIT

LENGTH: 1260mm

WIDTH: 135mm

HEIGHT: 80mm



SPARE WHEEL BRACKET

- Has a multi stud universal PCD layout to fit all OEM wheel holes
- Features an adjustable section that can fit various wheel offsets and gives you the ability to tighten the wheel against the wheel carrier
- This clamping feature allows the wheel to be securely held in place and removes any vibrations

KH-SWSA



KHAYA CAMPER TABLE SLIDE

- The perfect place to store your Alu-Table out of the way in unutilised space
- The Table slide is suitable to certain vehicles for the Khaya Camper

CC-A-TS



SHOWER CUBE

- Modular and universal accessory, designed to interface with all existing Alu-Cab base unit platforms
- Quick drying taffeta shower curtain, weighted at the bottom to retain shape
- A separate roof flap that can be deployed to keep warm air in
- An added zip to allow access to the vehicle door/window
- Heavy duty zipped storage bag
- Double access point (two zips) – Enables one to mount to LH or RH side of your vehicle
- Brackets available separately for: Generation 3.R Tent, the Canopy Camper, the Khaya, our Roof Conversions as well as most popular roof racks

TECHNICAL SPECS

LENGTH (Open): 1096mm
LENGTH (Closed): 1055mm
WIDTH (Open): 929mm
WIDTH (Closed): 119mm
LENGTH (Open): 1917mm
LENGTH (Closed): 187mm
WEIGHT: 9kg

Brackets available separately for: Generation 3.R Tent, the Canopy Camper, the Khaya, our Roof Conversions as well as most popular roof racks

SH-SC

UNIVERSAL ACCESSORIES



TILTING FRIDGE SLIDE

- Operates as a straight pull-out slide, and it has the option to tilt
- Runs on stainless steel runners with sealed stainless-steel bearings
- With double-locking pins, it is secured firmly in place when locked in position
- Includes stainless pin locating bush, added to the front of the slide to prevent any rattling
- The base has slots to allow for strapping down a fridge securely

4 different sizes that are suitable to most fridges

DS-TFS-50
DS-TFS-60
DS-TFS-80
DS-TFS-95



DRAWER SYSTEM

- Provides the ability pack your supplies neatly in place for easy access
- **Single Drawer System & Double Drawer Systems** available in a variety of sizes

DS-D-750
DS-D-1230
DS-D-1450
DS-S-750
DS-S-1230
DS-S-1450



ROOF RACK TRAY

- Aluminium tray, bent to fit between the Alu-Cab Load Bars
- Load rated to carry up to 100kg
- Can also carry 3 Ammo Boxes or 3 Jerry Can Holders
- The **Table Mount** can be added to the bottom of the tray, which means the Alu-Table can be stored underneath the tray

TECHNICAL SPECS

SIZE: 1252mm L x 780mm W x 33mm H
WEIGHT: 10kg approx

A-LB-RT
Table Mount: A-LB-TS



ROOF BOX

- Fully sealed unit, which means that you can safely stow extra gear away from the elements
- Lightweight, strong, aluminium construction
- Mounts together with the Alu-Cab Load Bars (Load Bars not included)
- The lid of the Roof Box is especially shaped and proportioned to accommodate our quick-release recovery trax tray
- Additional Jerry Can Holders can be mounted to either side of Roof Box with the Load Bar extension brackets
- Available in 2 sizes - 200L or 250L

TECHNICAL SPECS

ROOF BOX LARGE - THE LONG HAUL: A-RB-LB
1305mm L x 705mm W x 330mm H

ROOF BOX SMALL - THE ESCAPE: A-RB-SB
1305mm L x 533mm W x 330mm H



CAN CRUSHER

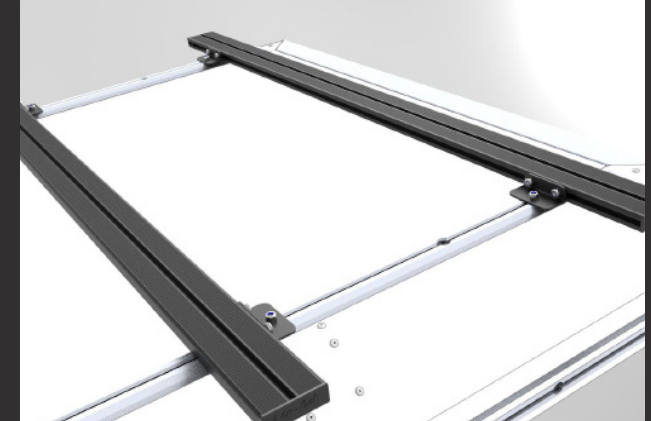
- Mounts easily to a molle plate or anywhere else you'd like to use it, for example, the bar wall
- This eco-friendly can crusher reduces aluminium 500ml cans by 80% of their size
- Features an integrated bottle opener
- Features two hooks to hang a waste bag underneath
- Supplied with mounting hardware
- **Can Crusher Spare Wheel Mount** available to allow you to easily mount our infamous can crusher to your spare wheel

TECHNICAL SPECS

SIZE: 380mm L x 115mm W x 85mm H
WEIGHT: 1.8kg

A-CRUSHER

Spare Wheel Mount: A-CRUSH-SWM



LOAD BARS

- Lightweight, strong, aluminium construction
- 3 unique 8mm bolt/nut channels provide a number of opportunities to attach gear to the Load Bar
- Static load rated to 200kg
- Set of 2 Load Bars, available in 2 lengths: **1250mm & 1450mm**
- Optional mounting feet available, low profile, high profile, and extra high profile

TECHNICAL SPECS

Low Profile Feet (S-LB-FEET-HP): 3mm H

High Profile Feet (S-LB-FEET-LP): 40mm H

Extra High Profile Feet (S-LB-FEET-STD): 60mm H

SIZE 1250mm: 1250mm L x 70mm W x 20mm H

S-LB-1250-B

SIZE 1450mm: 1450mm L x 70mm W x 20mm H

S-LB-1450-B



ALU-TABLE

- Lightweight, strong, aluminium construction
- Opens and closes via gas struts reducing set up and pack down effort
- Table top features rigidised aluminium providing a sturdy surface and high heat resistance for cooking preparation

TECHNICAL SPECS

SIZE (Closed): 1175mm L x 750mm W x 28mm H

SIZE (Open): 1175mm L x 750mm W x 770mm H

WEIGHT: 7.5kg approx

C-A-TBL



RECOVERY TRAX TRAY

- Can mount to either your roof rack, roof box or the side of your vehicle
- Quick release handle, makes for quick access
- Padlock compatibility
- Can hold up to 4 Max Trax

TECHNICAL SPECS

SIZE (External): 370mm L x 505mm W

SIZE (Internal): 1270mm L x 375mm W x 84mm H

C-A-TRXB



JERRY CAN HOLDER

- Lightweight, strong, aluminium/stainless steel construction
- Containing stainless steel locking strap and a stainless-steel locking catch
- Designed to suit a 20L jerry can
- Mounts vertically or horizontally

TECHNICAL SPECS

SIZE: 360mm L x 215mm W x 550mm H

WEIGHT: 3.2kg

C-A-JCH



INTERIOR DROP-DOWN TABLE

- Enjoy morning coffee, watch Netflix or respond to emails just by loosening the straps of your table to your desired height.
- Neatly folds away when not in use - won't interfere with the tent set-up or pack-down process
- Easily retrofittable

AVAILABLE FOR

Gen 3.1, Gen 3-R, Canopy Camper, Khaya Camper, Icarus and Hercules Roof Conversion

A-IRF-DD-TBL



GUTTER FEET

(Set of 2)

- Let you mount Alu-Cab Load Bars onto your vehicle providing a platform for attaching various accessories
- Tool-free installation lets you clamp the feet easily onto your vehicle's gutters

APPLICABLE VEHICLE MODELS

- Toyota Landcruiser 60 Series
- Toyota Landcruiser 75-79 Series
- Toyota Landcruiser 80 Series
- Volkswagen Transporter T3 and T3.5
- Suzuki Jimny Gen 4

A-GUT-FEET



SPARE WHEEL BAG

- Provides ample storage for braai kits, refuse bags, wood, wet clothing and more
- Features a secure closure system of heavy-duty straps, industrial velcro and 3 sturdy buckles
- Has 3 built-in drainage holes underneath to prevent the accumulation of water or moisture
- Can be locked to spare wheel for safety purposes
- Made of durable and weather-resistant heavy-duty vinyl

TECHNICAL SPECS

SMALL SPARE WHEEL BAG:

- Can fit tire size up to 28"

A-SPWB-S

LARGE SPARE WHEEL BAG:

- Can fit tire size up to 35"

A-SPWB-L



Alu-CabTM

WWW.ALU-CAB.COM